

# Record Patch

RP-3030



## DESCRIPTION

The RP-3030 Record Patch provides auxiliary and microphone level outputs to tape recorder input from any speaker level line. The RP-3030 is designed to operate from 8 ohm, 25 volt or 70 volt speaker lines while offering minimal power consumption to the speaker line. Four outputs provide the user with two auxiliary level and two microphone level outputs with up to 100 dB of isolation. A continuously variable trimpot, accessible only through an opening in the front plate, provides level trim adjustment according to the type of speaker line on which the RP-3030 is installed.

The RP-3030 is mounted on a two gang aluminum plate for easy wall mounting with either plaster rings or electrical boxes. The Record Patch can also easily be unmounted from it's plate and remounted as one complete assembly on to rack panels or any other custom plate.

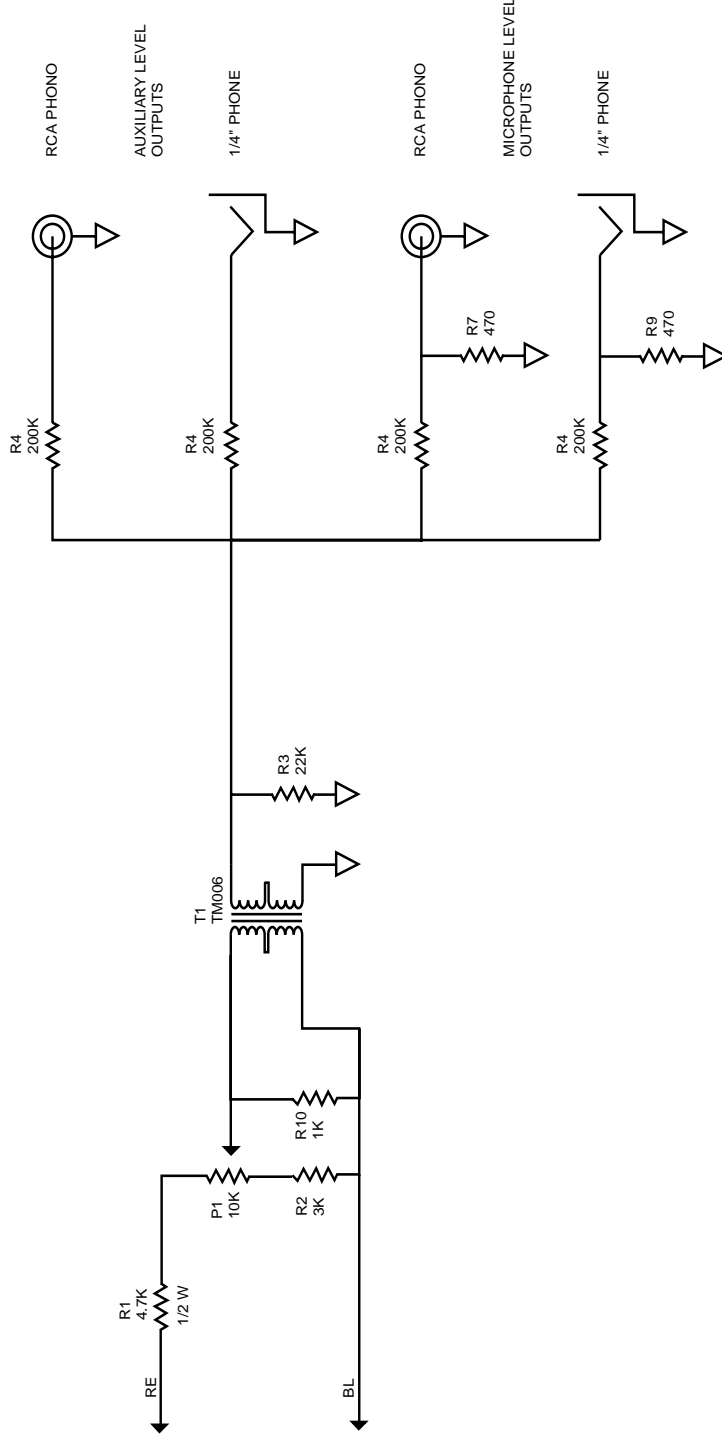
With the RP-3030 providing a isolated recording output, you may grant permission to novices wishing to record their own tapes without the fear of adverse affects on the house sound system. Model RP-3030 has been used with great success in hotel meeting rooms, council chambers, boardrooms, training facilities, convention hall's, church's, church halls . . . . . in short anywhere the need to record is present.

## SPECIFICATIONS

- Type:** Passive interface between speaker distribution lines and tape recorders
- Frequency Response:** 20 HZ - 20kHz +/- 1 dB
- Input Impedance:** 5.6 K ohms (8 ohm speaker line) to 15k ohms (70 volt speaker line), pigtail
- Outputs:** RCA or 1/4" TRS for both Auxiliary and Microphone
- Output Impedance:** 200 k ohms Auxiliary Level  
470 k ohms Microphone Level
- Output Level:** -10 dBv Auxiliary Level  
-50 dBv Microphone Level
- Level Trim:** Continuously variable trimpot accessible through opening on front of plate
- Type of Isolation:** Transformer
- Other Features:** One complete printed circuit board  
Brushed aluminum plate
- Dimensions:** 4.5" x 4.5" x 2",

**COMMUNICATIONS  
COMPANY  
inc.**





Frequency Response - 20-20K +/- 1dB  
 Output Impedance - 200k ohms Auxiliary level  
 470 ohms Microphone level  
 Output Level - -10 dBV Auxiliary level  
 -50dBV Microphone level  
 Transformer Isolation - -100dB  
 Plate Dimensions - 4.5" x 4.5" x 2"

RP-3030 Recording Patch Plate

Drawn	MSJ	Date	1/22/99
Chef	MSJ	Eng.	DCJ
NO:			<b>752-SD-1553</b>



9181 CHESAPEAKE DR  
 SAN DIEGO, CA 92123

Ph (858)560-4162 Fax (858)560-1923