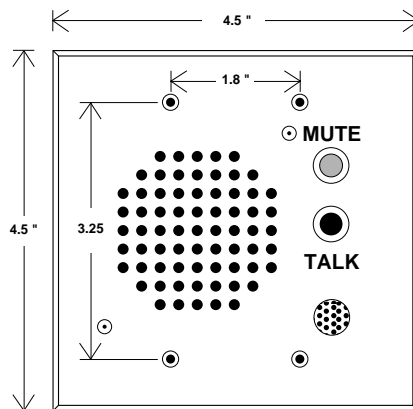
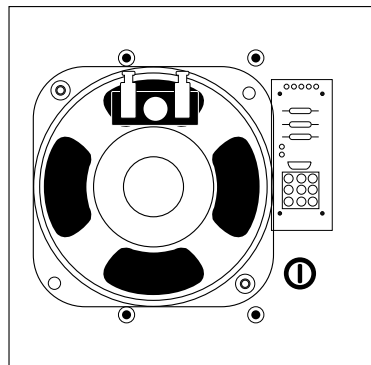
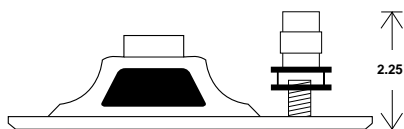


Frequency Response ~ 400 - 12K +/- 6dB
 Sensitivity ~ 89 db (1w/1m) @ 2k
 Max SPL Output ~ 90dB +/- 3dB
 Power Handling ~ 1/2 watt
 Nominal Impedence ~ 45 ohms
 Push Buttons(2) ~ Momentary Contact
 250ma Rated Gold contacts
 Normally Open
 Microphone ~ Omni-Directional Condenser
 6V - 650uA Operating Voltage
 (see IS-Mic for full details)
 Plate ~ .125" clear anodize brush aluminium
 Weight ~ 6.15 oz



Caution: The IS-3049BBM has a delicate circuit board, and requires special care when mounting in a wall or backbox



Note:
 This station has a depth of more than 2 1/2"

IS-3049BBM SPEAKER/MICROPHONE PARALLEL STATION



Ph (858)560-4162 Fax (858)560-1923

Drawn	MSJ	Date	5/8/98
Checked	MSJ	Eng.	MSJ

NO: 673-SD-1075