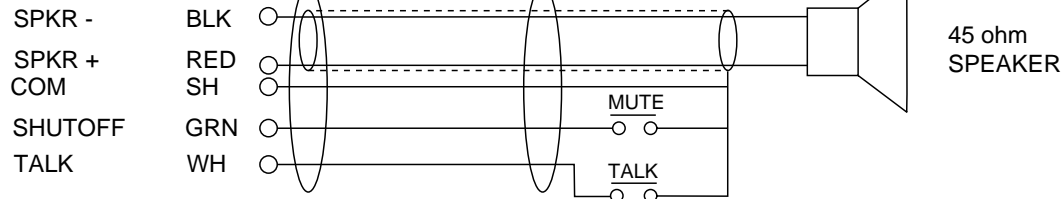
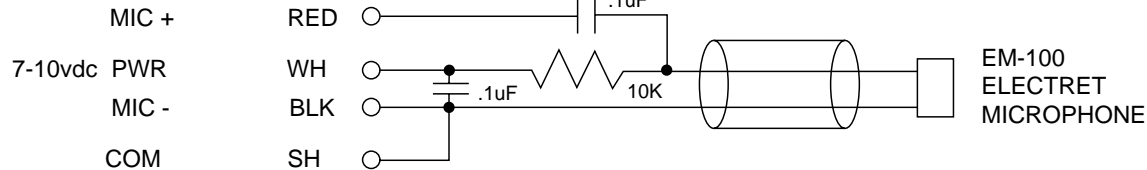
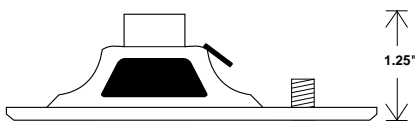
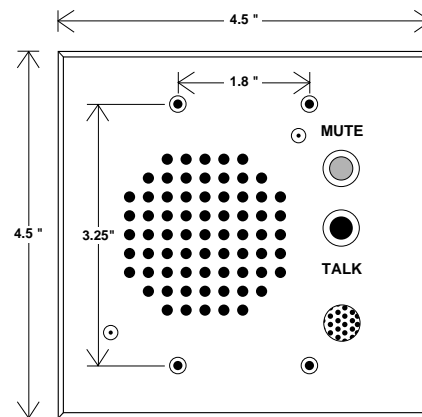
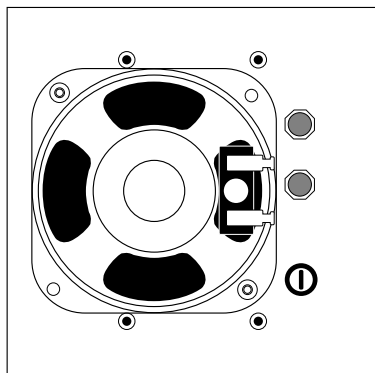



TYPICAL
IC-29
HOOK-UP



Frequency Response ~ 400 - 12K +/- 6dB
 Sensitivity ~ 89 db (1w/1m) @ 2k
 Max SPL Output ~ 90dB +/- 3dB
 Power Handling ~ 1/2 watt
 Nominal Impedence ~ 45 ohms
 Push Buttons (2) ~ Momentary Contact
 250ma Rated Gold contacts
 Normally Open
 Microphone ~ Omni-Directional Condenser
 6V - 650uA Operating Voltage
 (see IS-Mic for full details)
 Plate ~ .125" clear anodize brush aluminium
 Weight ~ 7.10 oz



IS-3022BBM SPKR & MIC CONTROL STATION PLATE AND SCHEMATIC				
 COMMUNICATIONS COMPANY inc. 9181 CHESAPEAKE DR SAN DIEGO, CA 92123 Ph (858)560-4162 Fax (858)560-1923	Drawn	MSJ	Date	1/12/98
	Checked	MSJ	Eng.	MSJ
		NO:		672-SD-1074