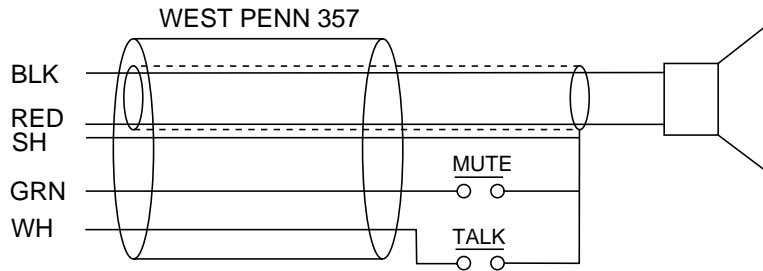


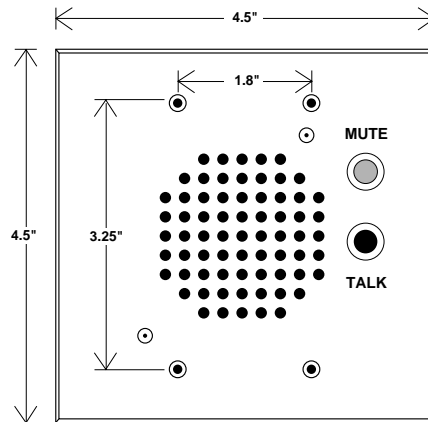
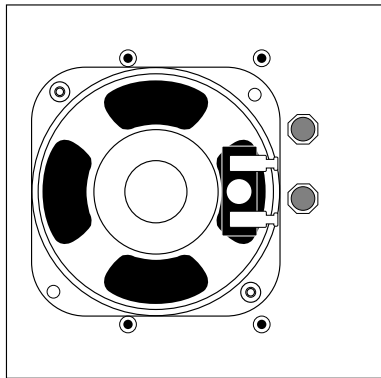
TYPICAL  
IC-29  
HOOK-UP



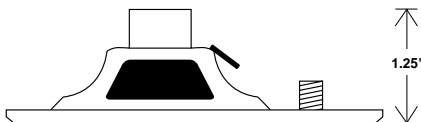
SPKR -  
SPKR +  
COM  
SHUTOFF  
TALK



45 ohm  
SPEAKER



Frequency Response ~ 400 - 12K +/- 6dB  
Sensitivity ~ 89 db (1w/1m) @ 2k  
Max SPL Output ~ 90dB +/- 3dB  
Power Handling ~ 1/2 watt  
Nominal Impedence ~ 45 ohms  
Push Buttons(2) ~ Momentary Contact  
250ma Rated Gold contacts  
Normally Open  
Plate ~ .125" clear anodize brush aluminium  
Weight ~ 6.40 oz



1.25"

IS-3022BB SPKR CONTROL STATION PLATE AND SCHEMATIC



**COMMUNICATIONS  
COMPANY inc.**  
9181 CHESAPEAKE DR  
SAN DIEGO, CA 92123

Ph (858)560-4162

Fax (858)560-1923

Drawn	MSJ	Date	1/12/98
Checked	MSJ	Eng.	MSJ

NO: 671-SD-1073-B