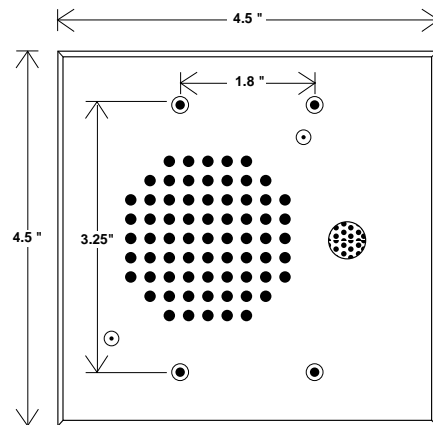
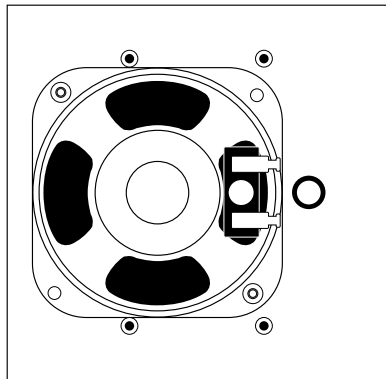
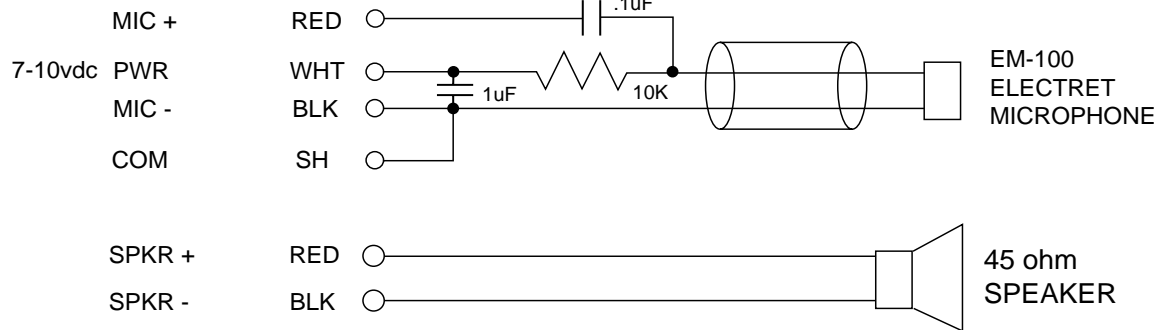
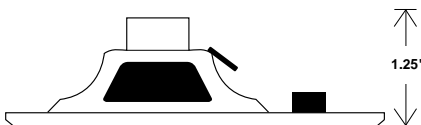


TYPICAL
IC-29
HOOK-UP



Frequency Response ~ 400 - 12K +/- 6dB
 Sensitivity ~ 89 db (1w/1m) @ 2k
 Max SPL Output ~ 90dB +/- 3dB
 Power Handling ~ 1/2 watt
 Nominal Impedence ~ 45 ohms
 Microphone ~ Omni-Directional Condenser
 6V - 650uA Operating Voltage
 (see IS-Mic for full details)
 Plate ~ .125" clear anodize brush aluminium
 Weight ~ 6.15 oz



IS-3002M SPEAKER & MICROPHONE STATION



**COMMUNICATIONS
COMPANY inc.**
 9181 CHESAPEAKE DR
 SAN DIEGO, CA 92123

Ph (619)560-4162

Fax (619)560-1923

Drawn	MSJ	Date	1/30/98
-------	-----	------	---------

Checked	MSJ	Eng.	MSJ
---------	-----	------	-----

NO: 670-SD-1072